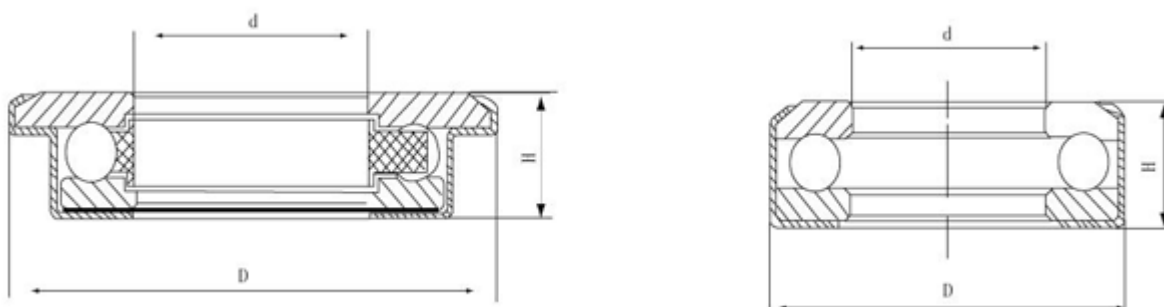


Clutch Release Bearings Manufacturer and Clutch Release Bearings

Clutch release bearings are use into automotive clutch release system.

We developed this bearings for automobile in 1998.It has get high reputation for many yearjs development.

We can also help customers to design and produce a special dimension for your special requirement.



http://www.hiana-bearings.com/clutch_release_bearings.htm

- **Ningbo Hiana Bearings Co.,Ltd.**
- **Head Office Add:** 606 No.16,Lane 988 West Zhongshan Road,315010,Ningbo China.
- **Factory Add:** No,54 Dongheng street Cicheng,Ningbo,China
- **Tel:**+86-574-87512327
- **Fax:** +86-574-87512357
- **P.C:** 315010
- **E-mail:**sales@hiana-bearings.com
- **Contact Person:**[Helia \(sales manager\)](#) [Henry \(product manager\)](#)
- **Web:** www.hiana-bearings.com