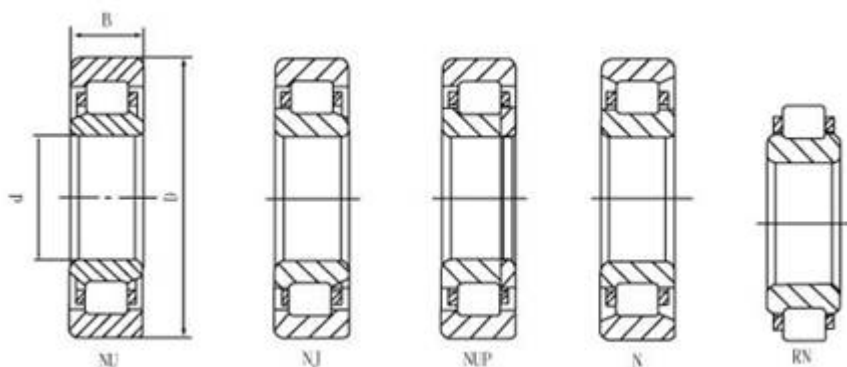


Cylindrical roller bearings Manufacturer, Cylindrical roller bearings supplier

We produce cylindrical roller bearings in many designs, dimension series and sizes. The majority are single row bearings with a cage. Bearings with a cage can accommodate heavy radial loads and operate at high speeds. Full complement bearings are suitable for very heavy radial loads at moderate speeds.

The HIANA range of cylindrical roller bearings comprises the basic types.

- single row cylindrical roller bearings, caged, mainly of the NU, NJ, NUP and N designs
- double row cylindrical roller bearings, caged, mainly of the NNU and NN designs.
- multi-row cylindrical roller bearings, caged.
- single row full complement cylindrical roller bearings, mainly of the NCF and NJG designs.
- double row full complement cylindrical roller bearings, mainly of the NNF design.
- multi-row full complement cylindrical roller bearings, with four or eight rows of rollers.



http://www.hiana-bearings.com/cylindrical_roller_bearings.htm

- **Ningbo Hiana Bearings Co.,Ltd.**
- **Head Office Add:** 606 No.16,Lane 988 West Zhongshan Road,315010,Ningbo China.

- **Factory Add:** No,54 Dongheng street Cicheng,Ningbo,China
- **Tel:**+86-574-87512327
- **Fax:** +86-574-87512357
- **P.C:** 315010
- **E-mail:**sales@hiana-bearings.com
- **Contact Person:**[Helia \(sales manager\)](#) [Henry \(product manager\)](#)
- **Web:** www.hiana-bearings.com