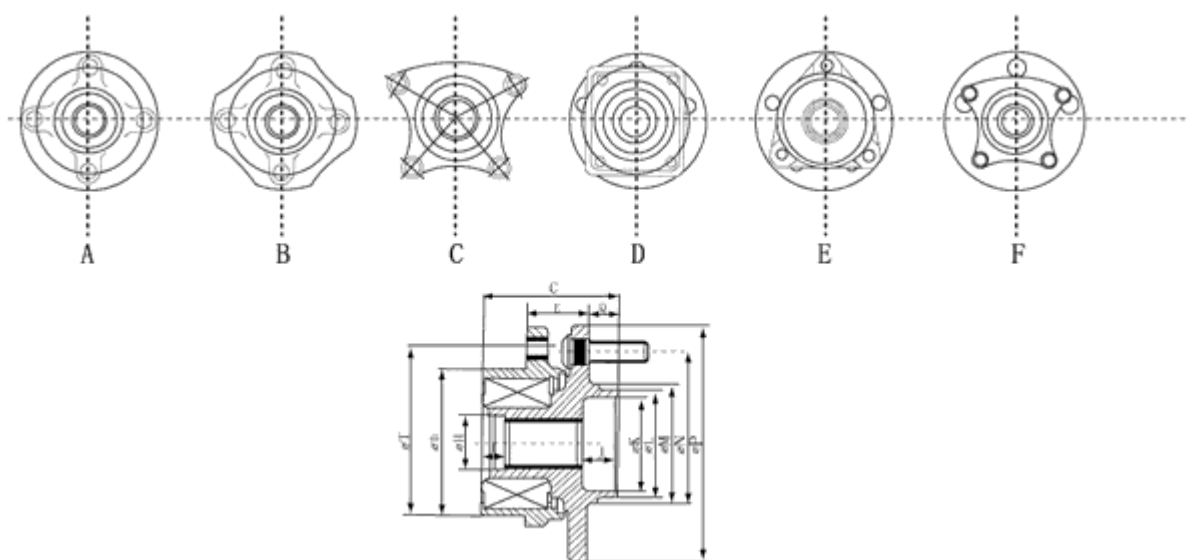


Automotive Wheel Hub units Manufacturer, Automotive Wheel Hub units Supplier

We developed the hub unit in 2000 and we have developed automotive Hub Unit Generation I II & III. The integrated hub bearing unit is now the dominant solution for car and light commercial wheel bearing applications. This family of products has developed into a broad ranging, highly sophisticated set of design solutions.

They are suitable for Various famous Cars. Including Fiat, Benz, Lancia, Seat, Audi, Renault, BMW, Chrysler and also for Volkswagen, Ford, Opel, Toyota, Nissan, Honda, Volvo, GM and Hyundai.



http://www.hiana-bearings.com/hub_units.htm

- **Ningbo Hiana Bearings Co., Ltd.**
- **Head Office Add:** 606 No.16, Lane 988 West Zhongshan Road, 315010, Ningbo China.
- **Factory Add:** No, 54 Dongheng street Cicheng, Ningbo, China
- **Tel:** +86-574-87512327
- **Fax:** +86-574-87512357
- **P. C:** 315010
- **E-mail:** sales@hiana-bearings.com
- **Contact Person:** [Helia \(sales manager\)](#) [Henry \(product manager\)](#)
- **Web:** www.hiana-bearings.com