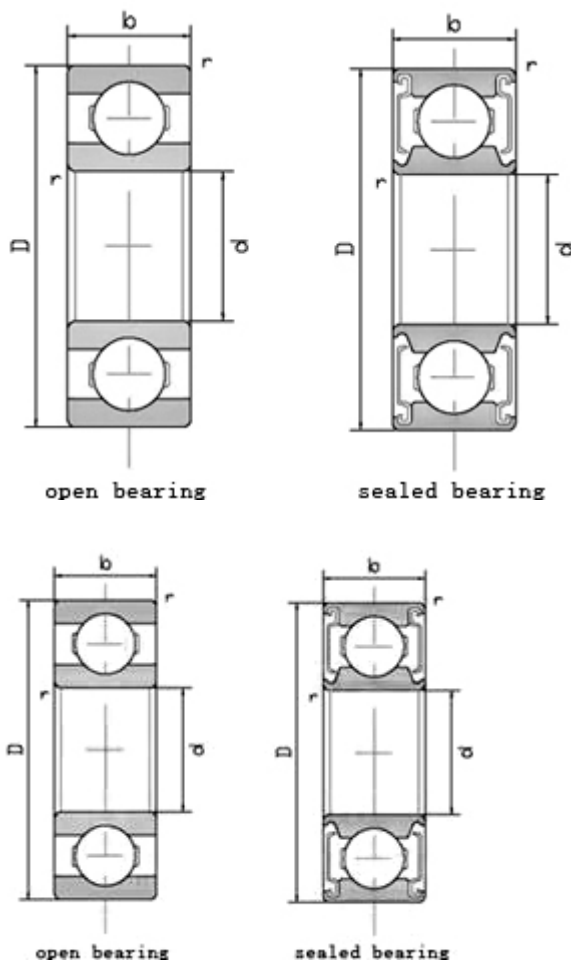


## Miniature bearings, Miniature ball bearings Manufacturer-HIANA Industrial Bearings

HIANA Miniature bearings for special field, dental applications and industry. We manufacture more than 4000 different types of miniature bearings, include inch and metric bearings.

Miniature Ball bearings are machinery components, which comprise an outer ring, inner ring, balls, retainers, shields and snap rings. Miniature bearings and small-sized ball bearings have up to 60mm in external diameter.

Miniature bearings are single row bearings, we offer an extensive selection of bearings. We have miniature bearings starting from 1 mm inner diameter, miniature bearings can be made of material with carbon steel, ceramic, chrome steel or stainless steel.



[http://www.hiana-bearings.com/miniature\\_bearings.htm](http://www.hiana-bearings.com/miniature_bearings.htm)

- **Ningbo Hiana Bearings Co.,Ltd.**
- **Head Office Add:** 606 No.16,Lane 988 West Zhongshan Road,315010,Ningbo China.
- **Factory Add:** No,54 Dongheng street Cicheng,Ningbo,China
- **Tel:**+86-574-87512327
- **Fax:** +86-574-87512357
- **P.C:** 315010
- **E-mail:**[sales@hiana-bearings.com](mailto:sales@hiana-bearings.com)
- **Contact Person:**[Helia \(sales manager\)](#) [Henry \(product manager\)](#)
- **Web:** [www.hiana-bearings.com](http://www.hiana-bearings.com)