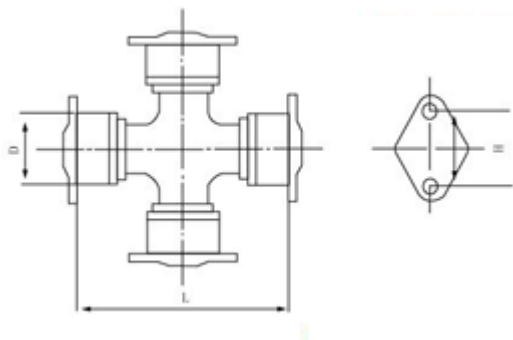


Automotive Universal Joint ,Universal joint kit,Universal Kits manufacturer

The universal joint is used in almost every class of control devices, and, most familiarly, automobiles.

We could supplier various kinds of universal joint for TOYOTA MAZDA ISUZU HONDA SUZUKI NISSAN MITSUBISHI HINO DAIHATSU SUBARU ect.

With GMB NO of GUT, GUN, GUNZ, GUM, GUI5, GUH, GU, GUSR, GUT, GUD.



http://www.hiana-bearings.com/universal_joint_kit.htm

- **Ningbo Hiana Bearings Co.,Ltd.**
- **Head Office Add:** 606 No.16,Lane 988 West Zhongshan Road,315010,Ningbo China.
- **Factory Add:** No,54 Dongheng street Cicheng,Ningbo,China
- **Tel:**+86-574-87512327
- **Fax:** +86-574-87512357
- **P.C:** 315010
- **E-mail:**sales@hiana-bearings.com
- **Contact Person:**[Helia \(sales manager\)](#) [Henry \(product manager\)](#)
- **Web:** www.hiana-bearings.com