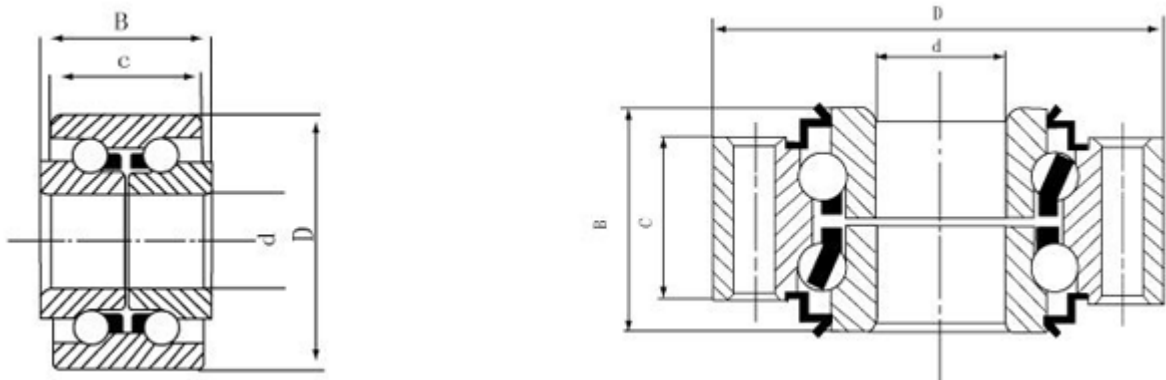


Automotive Wheel bearings manufacturer, Automotive Wheel bearings

Wheel Bearings are double row angular contact ball bearings. Each wheel hub bearing (wheel bearing) consists of one outer ring, two inner rings, rolling elements and cages.

Wheel Bearings are double row angular contact ball bearings. Each wheel hub bearing (wheel bearing) consists of one outer ring, two inner rings, rolling elements and cages.



http://www.hiana-bearings.com/wheel_bearings.htm

- **Ningbo Hiana Bearings Co., Ltd.**
- **Head Office Add:** 606 No.16, Lane 988 West Zhongshan Road, 315010, Ningbo China.
- **Factory Add:** No, 54 Dongheng street Cicheng, Ningbo, China
- **Tel:** +86-574-87512327
- **Fax:** +86-574-87512357
- **P.C:** 315010
- **E-mail:** sales@hiana-bearings.com
- **Contact Person:** [Helia \(sales manager\)](#) [Henry \(product manager\)](#)
- **Web:** www.hiana-bearings.com